

# Kessil Signal Converter

KSUSCB1

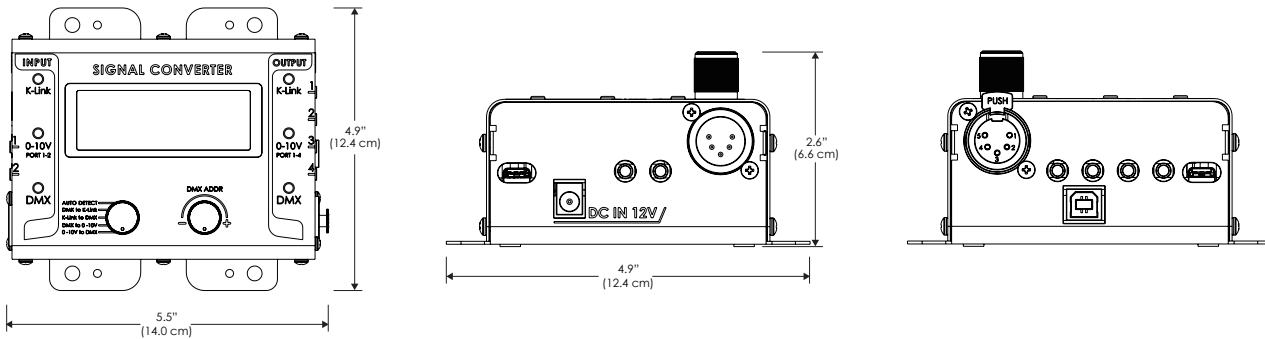


INPUT



OUTPUT

## MECHANICAL FIGURES



## SPECIFICATIONS

- Four Modes Available
- DMX to K-link / K-link to DMX
- DMX to 0-10V / 0-10V to DMX
- Low-Profile

Four Modes	DMX to K-link / K-link to DMX DMX to 0-10V / 0-10V to DMX
Power Input	12V DC IN
Number of Input Ports	4 Input (1 K-link, 2 0-10v, 1 DMX)
Number of Output Ports	6 output (1 K-link, 4 0-10v, 1 DMX)
Dimensions	5.2" x 4.9" x 2.6" 13.3 x 12.4 x 6.6cm
Weight	1.1lb (~0.50kg)